

HOF V10 & V20 Serisi (Endüstri Tip) PALETLİ POMPA

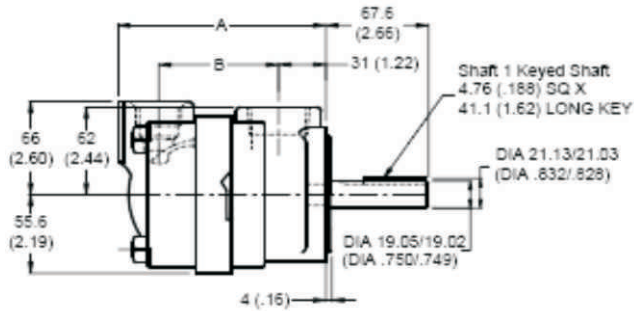
Model	Debi 1200/r/min & 7 bar (100 psi) Usgpm (Gallon)	Deplasman Geometric Displacement cm ³ /r (in ³ /r)	Debi 1500 r/min & 7 bar (100 psi) L/min (USgpm)	Max.Basınç bar (psi)	Max.Hız rpm	Min.Hız rpm
V10	1	3.3 (0.20)	4.70 (1.25)	172 (2500)	4800	650
V10	2	6.6 (0.40)	9.40 (2.50)	172 (2500)	4500	650
V10	3	9.8 (0.60)	14.20 (3.75)	172 (2500)	4000	650
V10	4	13.1 (0.80)	18.90 (5.00)	172 (2500)	3400	650
V10	5	16.4 (1.00)	23.60 (6.25)	172 (2500)	3200	650
V10	6	19.5 (1.19)	28.40 (7.50)	152 (2200)	3000	650
V10	7	22.8 (1.39)	33.10 (8.75)	138 (2000)	2800	650
V20	6	19.5 (1.19)	28.39 (7.50)	172 (2500)	3400	650
V20	7	22.8 (1.39)	33.11 (8.75)	172 (2500)	3000	650
V20	8	26.5 (1.62)	37.85 (10.00)	172 (2500)	2800	650
V20	9	29.7 (1.81)	42.57 (11.25)	172 (2500)	2800	650
V20	11	36.4 (2.22)	52.04 (13.75)	172 (2500)	2500	650
V20	12	39.0 (2.38)	56.77 (15.00)	152 (2200)	2400	650
V20	13	42.4 (2.59)	61.50 (16.25)	152 (2200)	2400	650

DIMENSION (inches)

DELIVERY @ 1200 RPM & 100 PSI	DIMENSION		
	A	B	C
6	4.93	4.02	2.80
7	5.18	4.27	3.05
8	5.18	4.27	3.05
9	5.18	4.27	3.05
11	5.38	4.47	3.25
12	5.52	4.61	3.39
13	5.52	4.61	3.39



V10



V20



V10 & V20 Orta kademe kartriç

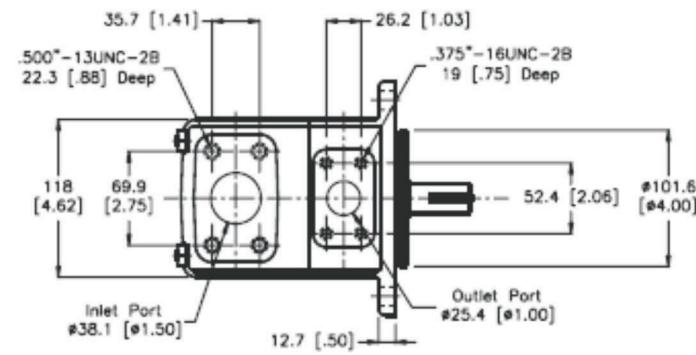
HOF

VANE PUMPS

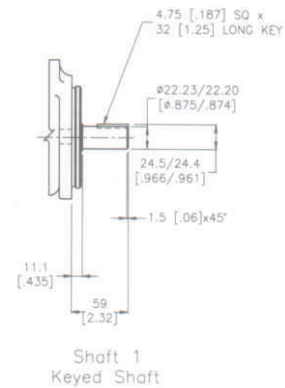


HOF 20V,25V,35V,45V Serisi (Endüstri Tip) PALETLİ POMPA

Model	Debi 1200 rpm & 7 bar (100 psi)		Max. Hız rpm	Max. Basınç bar (psi)	Debi 1500 r/min & L/min (USgpm)		Max. Güç kW (hp)
	USgpm	cm ³ /r (in ³ /r)			L/min (USgpm)	kW (hp)	
20V	5	18 (1.10)		206 (3000)	28.4 (7.5)	11.2 (15.0)	
20V	8	27 (1.67)		206 (3000)	45.4 (12.0)	17.0 (22.8)	
20V	11	36 (2.22)	1800	206 (3000)	56.8 (15.0)	22.6 (30.3)	
20V	12	40 (2.47)		158 (2300)	62.1 (16.4)	25.1 (33.7)	
20V	14	45 (2.78)		138 (2000)	69.6 (18.4)	28.3 (37.9)	
25V	12	39 (2.47)			62.1 (16.4)	22.9 (30.8)	
25V	14	45 (2.78)	1800	172 (2500)	69.6 (18.4)	25.7 (34.5)	
25V	17	55 (3.39)			86.3 (22.8)	29.8 (40.0)	
25V	21	67 (4.13)			106.0 (28.0)	34.0 (45.6)	
35V	25	81 (4.94)			124.9 (33.0)	45.5 (61.0)	
35V	30	97 (5.91)	1800	172 (2500)	154.4 (40.8)	54.5 (73.0)	
35V	35	112 (6.83)			181.7 (48.0)	61.5 (82.4)	
35V	38	121 (7.37)			193.8 (51.2)	65.9 (88.3)	
45V	42	138 (8.41)			208.2 (55.0)	75.3 (101.0)	
45V	50	162 (9.85)	1800	172 (2500)	253.6 (67.0)	87.3 (117.0)	
45V	60	193 (11.75)			310.4 (82.0)	103.7 (139.0)	



25V/VQ



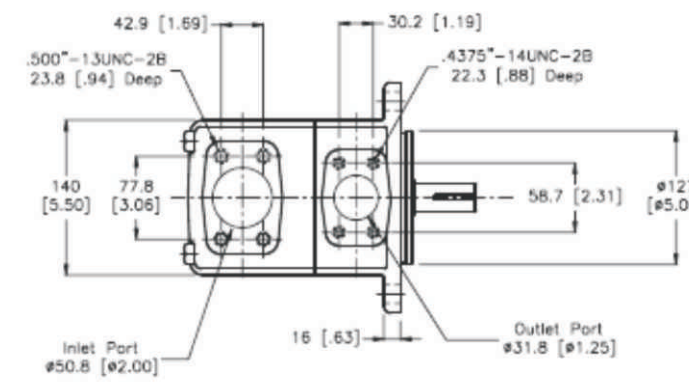
HOF

VANE PUMPS

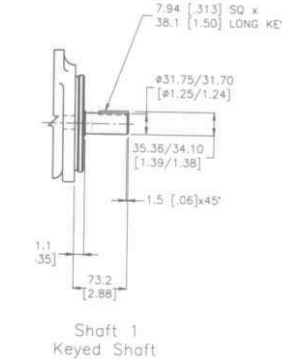


HOF 20VQ 25VQ 35VQ 45VQ (Mobil Tip) PALETLİ POMPA

Model	Debi 1200 rpm & 7 bar (100 psi)		Max. Hız rpm	Max. Basınç bar (psi)	Debi 1500 r/min & L/min (USgpm)		Max. Güç kW (hp)
	USgpm	cm ³ /r (in ³ /r)			L/min (USgpm)	kW (hp)	
20VQ	5	18 (1.10)		206 (3000)	41.6 (11.0)	17.9 (24.0)	
20VQ	8	27 (1.67)		206 (3000)	64.3 (17.0)	26.1 (35.0)	
20VQ	11	36 (2.22)	2700	206 (3000)	87.1 (23.0)	35.4 (47.5)	
20VQ	12	39 (2.41)		158 (2300)	96.5 (25.5)	28.3 (38.0)	
20VQ	14	45 (2.80)		138 (2000)	113.6 (30.0)	29.1 (39.0)	
25VQ	12	40 (2.45)	2700		87.1 (23.0)	41.0 (55.0)	
25VQ	14	45 (2.77)	2700	206 (3000)	102.2 (27.0)	46.6 (62.5)	
25VQ	17	55 (3.37)	2500		117.3 (31.0)	51.8 (69.5)	
25VQ	21	67 (4.12)	2500		143.8 (38.0)	61.9 (83.0)	
35VQ	25	81 (4.98)	2500		170.3 (45.0)	75.3 (101.0)	
35VQ	30	97 (5.96)	2500	206 (3000)	208.2 (55.0)	87.7 (117.5)	
35VQ	35	112 (6.88)	2400		227.1 (60.0)	98.5 (132.0)	
35VQ	38	121 (7.42)	2400		246.0 (65.0)	104.4 (140.0)	
45VQ	42	138 (8.46)			251.7 (66.5)	91.4 (122.5)	
45VQ	50	162 (9.90)	2200	172 (2500)	299.0 (79.0)	105.2 (141.0)	
45VQ	60	193 (11.80)			363.4 (96.0)	126.8 (170.0)	



35V/VQ



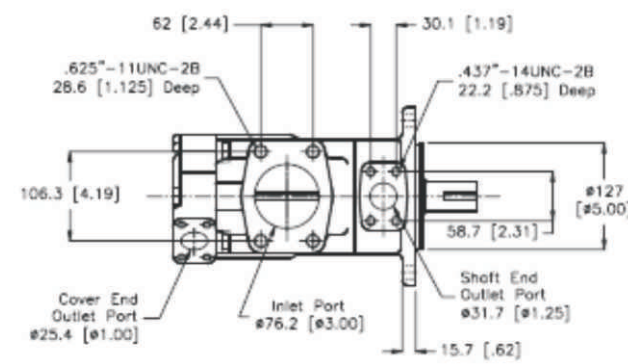
HOF

VANE PUMPS



HOF V (Endüstri Tip) TANDEM/ İKİLİ POMPA

Model	Cartridge Pozisyon	Debi 1200 rpm & 7 bar (100 psi)		Max.Hız rpm	Max.Basınç bar (psi)	Max. Debi L/min (USgpm)	Max. Güç kW (hp)	
		USgpm	cm ³ /r (in ³ /r)					
	Shaft End	12	39 (2.47)	1800	172 (2500)	62.1 (16.4)	22.9 (30.8)	
		14	45 (2.78)					
		17	55 (3.39)					
		21	67 (4.13)					
2520V	Cover End	5	18 (1.10)	1800	206 (3000)	28.4 (7.5)	11.2 (15.0)	
		8	27 (1.67)					
		11	36 (2.22)					
		12	40 (2.47)					
	Cover End	14	45 (2.78)	1800	206 (3000)	56.8 (15.0)	22.6 (30.3)	
		12	40 (2.47)					
		158 (2300)	62.1 (16.4)					25.1 (33.7)
		138 (2000)	69.6 (18.4)					28.3 (37.9)
	Shaft End	25	81 (4.94)	1800	172 (2500)	124.9 (33.0)	45.5 (61.0)	
		30	97 (5.91)					
		35	112 (6.83)					
		38	121 (7.37)					
3520V	Cover End	5	18 (1.10)	1800	206 (3000)	28.4 (7.5)	11.2 (15.0)	
		8	27 (1.67)					
		11	36 (2.22)					
		12	40 (2.47)					
	Cover End	14	45 (2.78)	1800	206 (3000)	56.8 (15.0)	22.6 (30.3)	
		12	40 (2.47)					
		158 (2300)	62.1 (16.4)					25.1 (33.7)
		138 (2000)	69.6 (18.4)					28.3 (37.9)
	Shaft End	25	81 (4.94)	1800	172 (2500)	124.9 (33.0)	45.5 (61.0)	
		30	97 (5.91)					
		35	112 (6.83)					
		38	121 (7.37)					
3525V	Cover End	5	18 (1.10)	1800	206 (3000)	28.4 (7.5)	11.2 (15.0)	
		8	27 (1.67)					
		11	36 (2.22)					
		12	40 (2.47)					
	Cover End	14	45 (2.78)	1800	206 (3000)	56.8 (15.0)	22.6 (30.3)	
		17	55 (3.39)					
		19.1 (2.55)	62.1 (16.4)					22.9 (30.8)
		21	67 (4.13)					



3525V/VQ



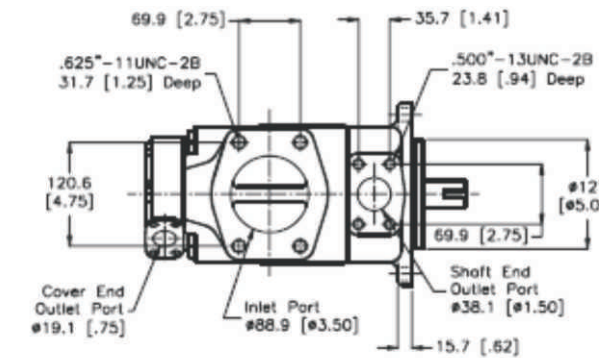
HOF

VANE PUMPS

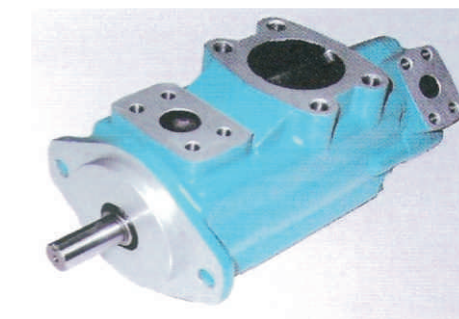


HOF V (Endüstri Tip) TANDEM/ İKİLİ POMPA

Model	Cartridge Pozisyon	Debi 1200 rpm & 7 bar (100 psi)		Max.Hız rpm	Max.Basınç bar (psi)	Max. Debi L/min (USgpm)	Max. Güç kW (hp)	
		USgpm	cm ³ /r (in ³ /r)					
	Shaft End	42	138 (8.41)	1800	172 (2500)	208.2 (55.0)	75.3 (101.0)	
		50	162 (9.85)					
		60	193 (11.75)					
		60	193 (11.75)					
4520V	Cover End	5	18 (1.10)	1800	206 (3000)	28.4 (7.5)	11.2 (15.0)	
		8	27 (1.67)					
		11	36 (2.22)					
		12	40 (2.47)					
	Cover End	14	45 (2.78)	1800	206 (3000)	56.8 (15.0)	22.6 (30.3)	
		12	40 (2.47)					
		158 (2300)	62.1 (16.4)					25.1 (33.7)
		138 (2000)	69.6 (18.4)					28.3 (37.9)
	Shaft End	42	138 (8.41)	1800	172 (2500)	208.2 (55.0)	75.3 (101.0)	
		50	162 (9.85)					
		60	193 (11.75)					
		60	193 (11.75)					
4525V	Cover End	12	39 (2.47)	1800	172 (2500)	62.1 (16.4)	22.9 (30.8)	
		14	45 (2.78)					
		17	55 (3.39)					
		21	67 (4.13)					
	Shaft End	42	138 (8.41)	1800	172 (2500)	208.2 (55.0)	75.3 (101.0)	
		50	162 (9.85)					
		60	193 (11.75)					
		60	193 (11.75)					
4535V	Cover End	25	81 (4.94)	1800	172 (2500)	124.9 (33.0)	45.5 (61.0)	
		30	97 (5.91)					
		35	112 (6.83)					
		38	121 (7.37)					



4520V/VQ



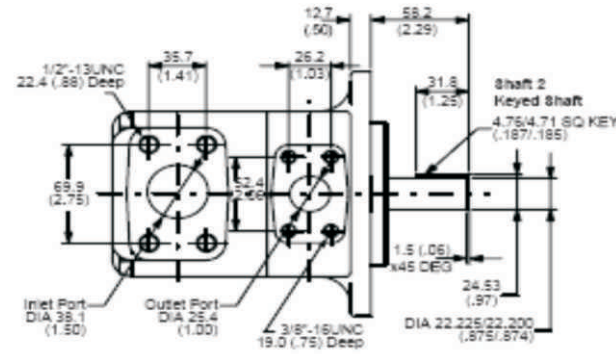
HOF

VANE PUMPS



T6C SERİSİ PALETLİ POMPA

Tip	Debi Geometric Displacement cm ³ /r (in ³ /r)	Max. Hiz rpm	Min. Hiz rpm	Max. Intermittent Basınç bar (psi)	Max. Continuous Basınç bar (psi)
003	10.8 (0.66)	2800	600	280 (4000)	240 (3500)
005	17.2 (1.05)				
006	21.3 (1.30)				
008	26.4 (1.61)				
010	34.1 (2.08)				
012	37.1 (2.26)				
014	46.0 (2.81)	2500	600	210 (3000)	160 (2300)
017	58.3 (3.56)				
020	63.8 (3.89)				
022	70.3 (4.29)				
025	79.3 (4.84)				
028	88.8 (5.42)				
031	100.0 (6.10)				



T6C



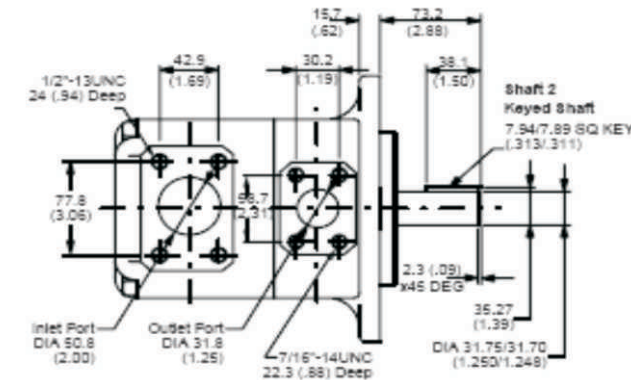
HOF

VANE PUMPS

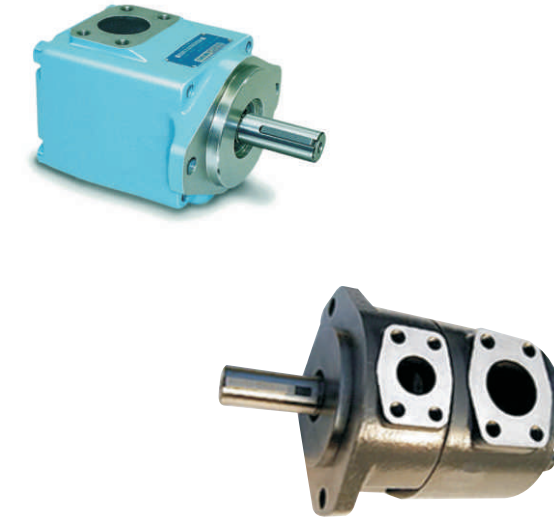


T6D SERİSİ PALETLİ POMPA

Tip	Debi Geometric Displacement cm ³ /r (in ³ /r)	Max. Hiz rpm	Min. Hiz rpm	Max. Intermittent Basınç bar (psi)	Max. Continuous Basınç bar (psi)
014	47.6 (2.90)	2500	600	240 (3500)	210 (3000)
020	66.0 (4.03)				
024	79.5 (4.85)				
028	89.7 (5.47)				
031	98.3 (6.00)				
035	111.0 (6.77)	2200			
038	120.3 (7.34)				
042	136.0 (8.30)				
045	145.7 (8.89)				
050	158.0 (9.64)				
061	190.5 (11.63)	1800		210 (3000)	160 (2320)
				120 (1700)	80 (1160)



T6D



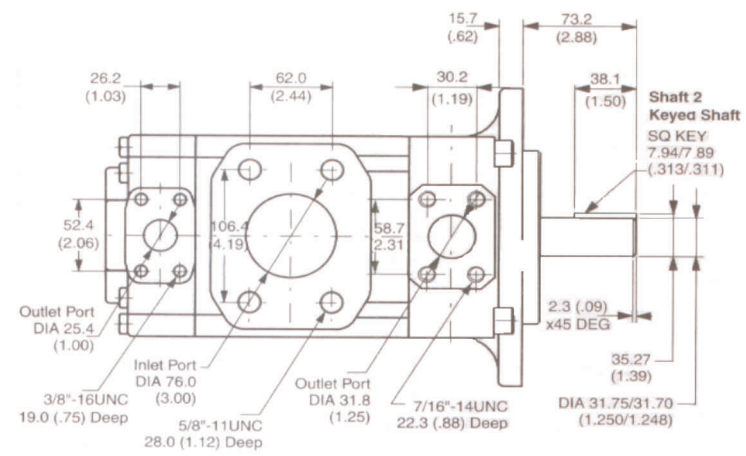
HOF

VANE PUMPS

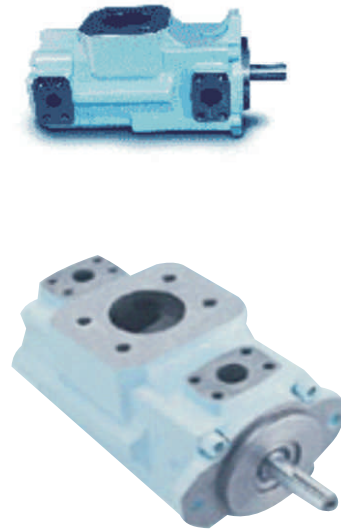


T6CC SERİSİ / TANDEM-İKİLİ POMPA

Shaft End Pump			Cover End Pump			Max. Hız rpm
Size	Deplasman Geometric Displacement cm ³ /r (in ³ /r)	Max. Intermittent Basınç bar (psi)	Size	Deplasman Geometric Displacement cm ³ /r (in ³ /r)	Max. Intermittent Basınç bar (psi)	
003	10.8 (0.66)	280 (4000)	003	10.8 (0.66)	280 (4000)	2800
005	17.2 (1.05)		005	17.2 (1.05)		
006	21.3 (1.30)		006	21.3 (1.30)		
008	26.4 (1.61)		008	26.4 (1.61)		
010	34.1 (2.08)		010	34.1 (2.08)		
012	37.1 (2.26)		012	37.1 (2.26)		
014	46.0 (2.81)		014	46.0 (2.81)		
017	58.3 (3.56)		017	58.3 (3.56)		
020	63.8 (3.89)		020	63.8 (3.89)		
022	70.3 (4.29)		022	70.3 (4.29)		
025	79.3 (4.84)	210 (3000)	025	79.3 (4.84)	210 (3000)	
028	88.8 (5.42)		028	88.8 (5.42)		
031	100.0 (6.10)		031	100.0 (6.10)		



* T6CC Tandem pompalar DENISON uyumludur.



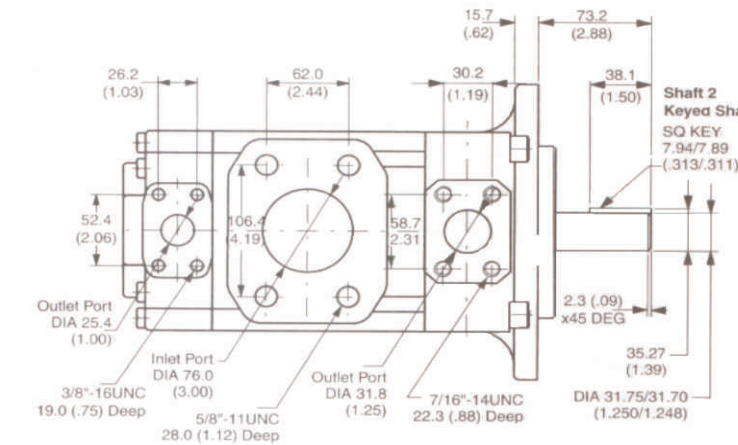
HOF

VANE PUMPS

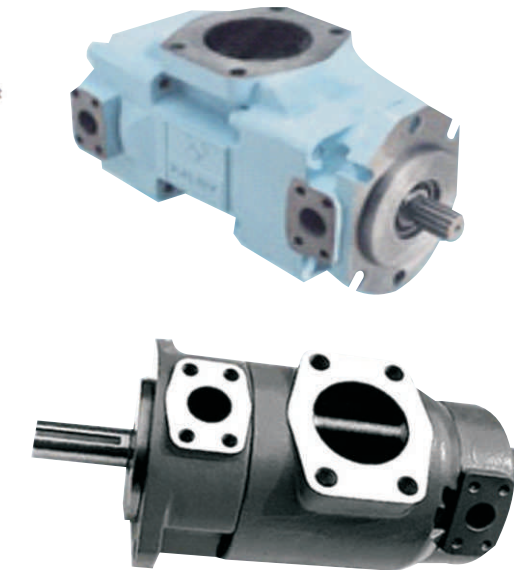


T6DC SERİSİ / TANDEM-İKİLİ POMPA

Shaft End Pump			Cover End Pump			Max. Hız rpm
Size	Deplasman Geometric Displacement cm ³ /r (in ³ /r)	Max. Intermittent Basınç bar (psi)	Size	Deplasman Geometric Displacement cm ³ /r (in ³ /r)	Max. Intermittent Basınç bar (psi)	
014	47.6 (2.90)	240 (3500)	003	10.8 (0.66)	280 (4000)	2500
020	66.0 (4.03)		005	17.2 (1.05)		
024	79.5 (4.85)		006	21.3 (1.30)		
028	89.7 (5.47)		008	26.4 (1.61)		
031	98.3 (6.00)		010	34.1 (2.08)		
035	111.0 (6.77)		012	37.1 (2.26)		
038	120.3 (7.34)		014	46.0 (2.81)		
042	136.0 (8.30)		017	58.3 (3.56)		
045	145.7 (8.89)		020	63.8 (3.89)		
050	158.0 (9.64)		210 (3000)	022		
061	190.5 (11.63)	120 (1700)	025	79.3 (4.84)		
			028	88.8 (5.42)		
			031	100.0 (6.10)		



* T6DC Tandem pompalar DENISON uyumludur.



HOF

VANE PUMPS



CK-20V CARTRIDGE (Endüstri Serisi Kartriç)

Tipi	Debi 1200 rpm & 7 bar(100psi) Usgpm	Deplasman Geometric Displacement cm3/r (in3/r)	Max. Hız rpm	Max. Basınç bar (psi)	Debi Max. Hız & Basınç L/min (Usgpm)	Güç Max. Hız & Basınç kW (hp)
20V	5	18 (1.10)	1800	206 (3000)	28.4 (7.5)	11.2 (15.0)
20V	8	27 (1.67)	1800	206 (3000)	45.4 (12.0)	17.0 (22.8)
20V	11	36 (2.22)	1800	206 (3000)	56.8 (15.0)	22.6 (30.3)
20V	12	40 (2.47)	1800	158 (2300)	62.1 (16.4)	25.1 (33.7)
20V	14	45 (2.78)	1800	138 (2000)	69.6 (18.4)	28.3 (37.9)

CK-25V CARTRIDGE (Endüstri Serisi Kartriç)

Tipi	Debi 1200 rpm & 7 bar(100psi) Usgpm	Deplasman Geometric Displacement cm3/r (in3/r)	Max. Hız rpm	Max. Basınç bar (psi)	Debi Max. Hız & Basınç L/min (Usgpm)	Güç Max. Hız & Basınç kW (hp)
25V	12	39 (2.47)	1800	172 (2500)	62.1 (16.4)	22.9 (30.8)
25V	14	45 (2.78)	1800	172 (2500)	69.6 (18.4)	25.7 (34.5)
25V	17	55 (3.39)	1800	172 (2500)	86.3 (22.8)	29.8 (40.0)
25V	21	67 (4.13)	1800	172 (2500)	106.0 (28.0)	34.0 (45.6)

V Cartridge Kit



* V/VQ Serisi tüm pompa ve kartriçler VICKERS uyumludur.

* V20 serisi orta kademe kartriç

HOF

VANE PUMPS



CK-35V CARTRIDGE (Endüstri Serisi Kartriç)

Tipi	Debi 1200 rpm & 7 bar(100psi) Usgpm	Deplasman Geometric Displacement cm3/r (in3/r)	Max. Hız rpm	Max. Basınç bar (psi)	Debi Max. Hız & Basınç L/min (Usgpm)	Güç Max. Hız & Basınç kW (hp)
35V	25	81 (4.94)	1800	172 (2500)	124.9 (33.0)	45.5 (61.0)
35V	30	97 (5.91)	1800	172 (2500)	154.4 (40.8)	54.5 (73.0)
35V	35	112 (6.83)	1800	172 (2500)	181.7 (48.0)	61.5 (82.4)
35V	38	121 (7.37)	1800	172 (2500)	193.8 (51.2)	65.9 (88.3)

CK-45V CARTRIDGE (Endüstri Serisi Kartriç)

Tipi	Debi 1200 rpm & 7 bar(100psi) Usgpm	Deplasman Geometric Displacement cm3/r (in3/r)	Max. Hız rpm	Max. Basınç bar (psi)	Debi Max. Hız & Basınç L/min (Usgpm)	Güç Max. Hız & Basınç kW (hp)
45V	42	138 (8.41)	1800	172 (2500)	208.2 (55.0)	75.3 (101.0)
45V	50	162 (9.85)	1800	172 (2500)	253.6 (67.0)	87.3 (117.0)
45V	60	193 (11.75)	1800	172 (2500)	310.4 (82.0)	103.7 (139.0)

V Cartridge Kit



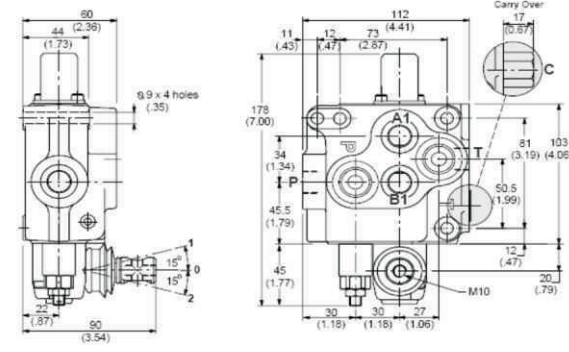
HOF



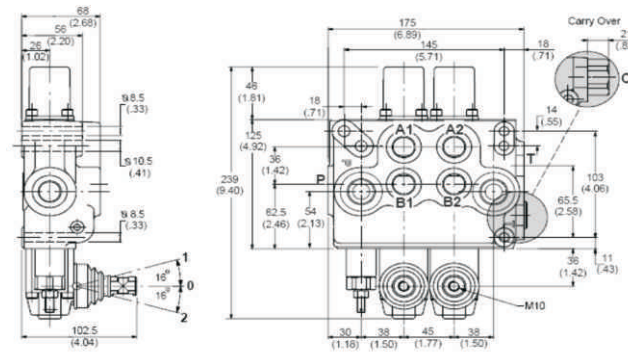
MONOBLOK KUMANDA KOLLARI

Tipi	Diş Ölçüsü	Debi lt/dk.	Basınç Bar	Max.Dönüş Bar
MCD 20/1	3/8"	45	315	25
MCD 20/2	3/8"	45	315	25
MCD 20/3	3/8"	45	315	25
MCD 50/1	1/2"	80	315	25
MCD 50/2	1/2"	80	315	25
MCD 50/3	1/2"	80	315	25

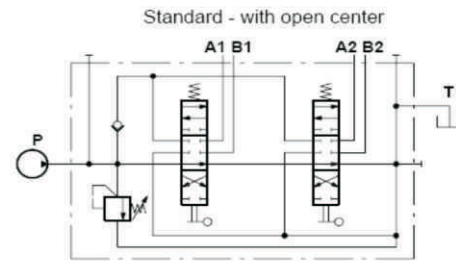
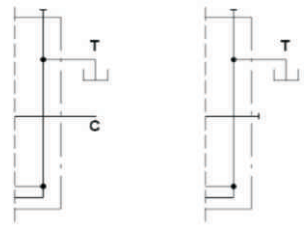
MCD20/1



MCD50/2



With carry over With closed center



Specification

Nominal Flow 80 L/min (21 USgpm)
 Max. Pressure 210 bar (3000 psi)
 Port A-B BSPT 1/2" or SAE8
 Port P BSPT 1/2" or SAE10
 Port T BSPT 3/4" or SAE10

HOF



DİLİMLİ KUMANDA KOLLARI

Tipi MCD	Diş Ölçüsü	Debi Lt/dk	Basınç Bar	Max. Dönüş Bar
MCD 10/1	1/2"	80	315	25
MCD 10/2	1/2"	80	315	25
MCD 10/3	1/2"	80	315	25
MCD 10/4	1/2"	80	315	25
MCD 10/5	1/2"	80	315	25
MCD 10/6	1/2"	80	315	25
MCD 10/7	1/2"	80	315	25
MCD 10/8	1/2"	80	315	25
MCD 10/9	1/2"	80	315	25
MCD 10/10	1/2"	80	315	25

	C		D		Weight	
	mm	inch	mm	inch	kg	lb
MCD 10/1	144	5.67	70	2.76	10.2	22.4
MCD 10/2	188	7.40	114	4.49	14.9	32.8
MCD 10/3	232	9.13	158	6.22	19.6	43.1
MCD 10/4	276	10.87	202	7.95	24.3	53.5
MCD 10/5	320	12.60	246	9.69	29.0	63.8
MCD 10/6	364	14.33	290	11.42	33.7	74.1
MCD 10/7	408	16.06	334	13.15	38.4	84.5
MCD 10/8	452	17.80	378	14.88	43.1	94.8
MCD 10/9	496	19.53	422	16.61	47.8	105.2
MCD 10/10	540	21.26	466	18.35	52.5	115.5

Specification

Nominal Flow 80 L/min (21 USgpm)
 Max. Pressure 210 bar (3000 psi)
 Port A-B BSPT 1/2" or SAE8
 Port P BSPT 1/2" or SAE10
 Port T BSPT 3/4" or SAE10

